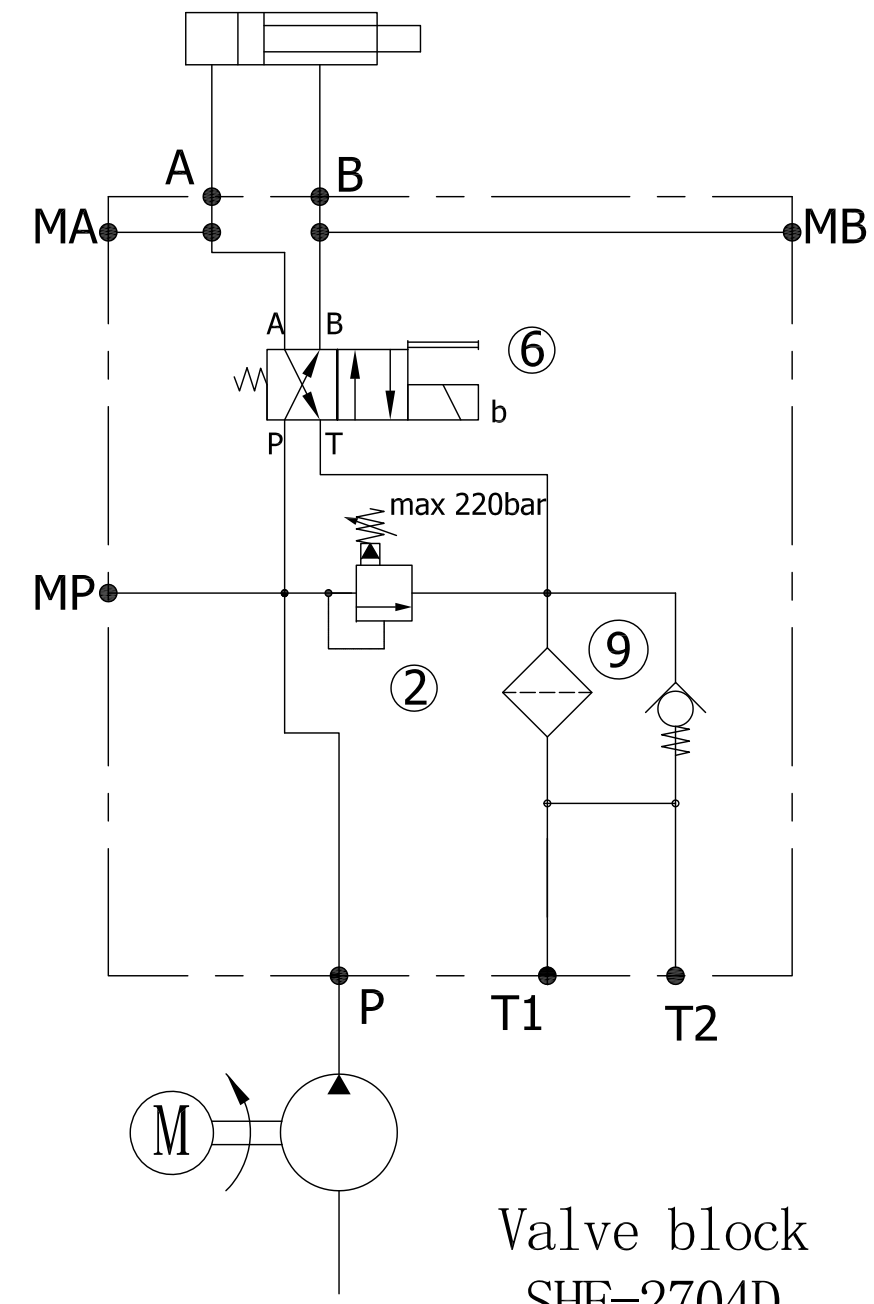
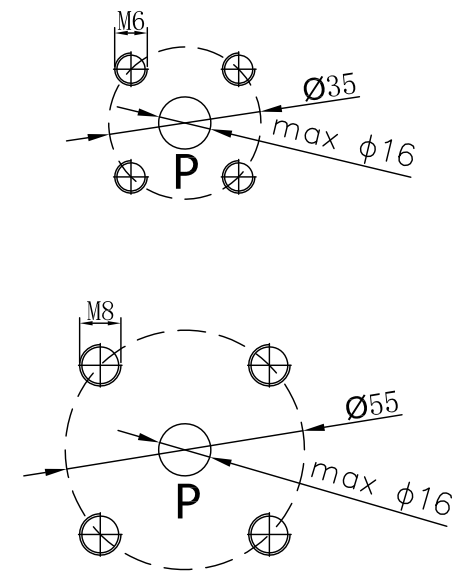
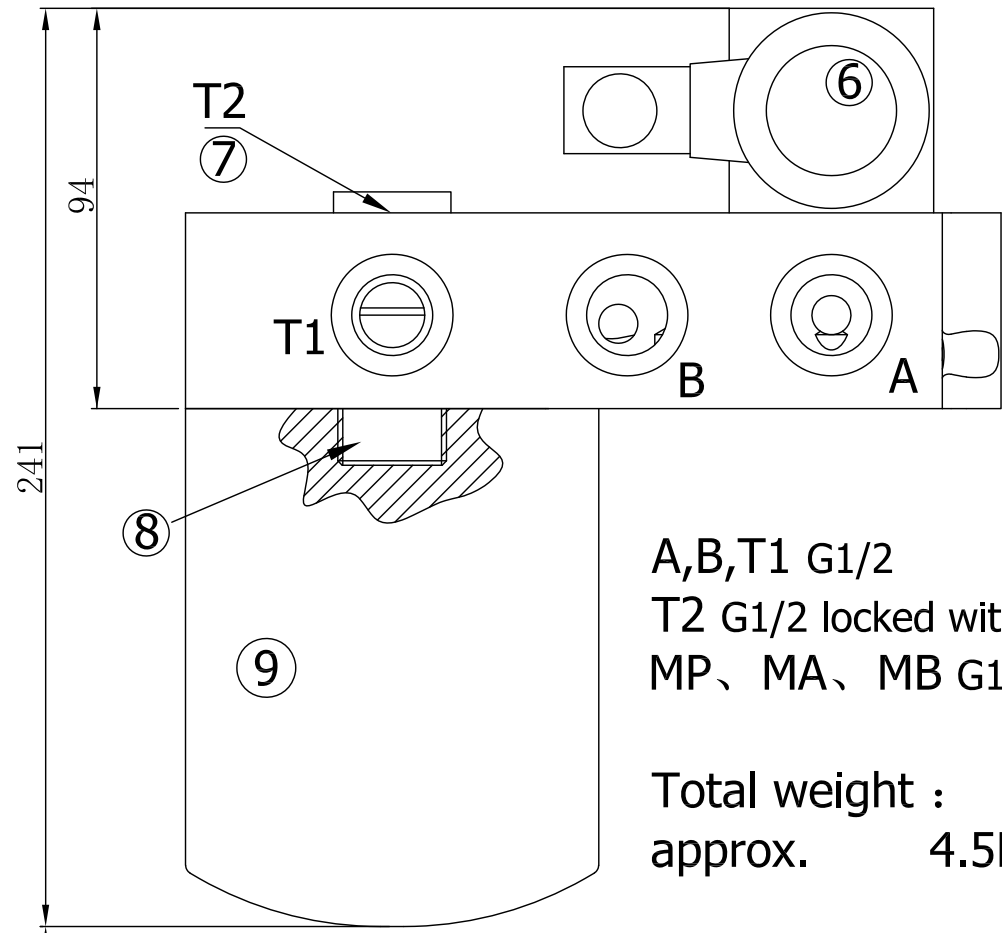


Pump Connection



Valve block SHF-2704D



A,B,T1 G1/2
 T2 G1/2 locked with ⑦
 MP、MA、MB G1/4 locked with ⑤

Total weight :
 approx. 4.5Kg (without oil)

Minimal space for
 assembly and disassembly

9	过滤器/Return Filter	SFCT-3525-E	1	25微米/25 micron
8	G3/4连接螺母/Filter connection	G3/4	1	
7	G1/2堵头/G1/2 Plug	VSTI 1/2 ED	1	
6	换向阀/Directional Control Valve	DSD-G02-2AL	1	NG 06/NG 06
5	G1/4堵头/G1/4 Plug	VSTI 1/4 ED	4	
4	O形圈/O-Ring	17,96 x 2,62	1	
3	球堵/Ball Plug	10mm	3	
2	插式溢流阀/Pressure Relief Valve	CRV-60-A-20	1	插式溢流阀/Cartridge pilot operated
1	阀块/Valve Block	SHF-2704-02-00	1	阳极氧化铝/Anodized aluminium
项次/Pos	品名/Designation	规格/Type	数量/Pcs	备注/Remark

版本号	T01	核准		材质		机种	
参考: ISO 2768-1f	审校			单位	mm	图名	MINI-PU阀块组件
	设计			比例	1: 1	图号	SHF-2704D-00-03
	绘图			重量		编号	半成品: 原料: