



Proportional Solenoid Valve

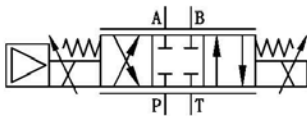
direct actuating, with integrated amplifier

Subplate to ISO4401-NG06

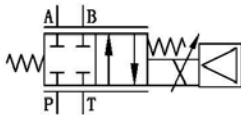
PHS06E

Switching symbol

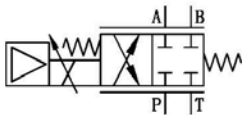
PHS06E...D02



PHS06E...B02



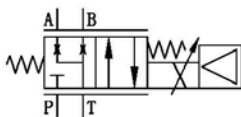
PHS06E...A02



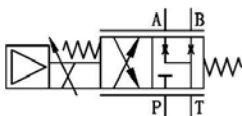
PHS06E...D33



PHS06E...B33



PHS06E...A33



- PHS series is a new design of high precision and high sensitivity proportional control valve
- Linear flow characteristic due to the special design of the valve sleeve
- Small hysteresis by polishing moving parts
- Long life cycle times due to high surface hardness of the sleeve and spool
- For a load pressure independent flow we recommend our Load-Sensing Modular Valve **M2LS06**

Specifications

Port interface:	ISO4401-03-02-0-05
Installation:	Preferably horizontally
Weight:	With one solenoid 1.8kg With two solenoid 2.4kg
Operating pressure:	Ports P,A,B max. 350 bar Port T max. 210 bar
Flow ($\Delta p = 10\text{bar}$):	S2-0 max. 13 l/min S4-0 max. 30 l/min
Hysteresis:	<6%
Repeat accuracy:	< $\pm 1.5\%$
Hydraulic oil:	DIN 51524-Part1/2
Viscosity range:	10 up to 600 mm ² /s
Oil filtration:	max. 18/16/13 ISO4406
Oil temperature:	-20°C up to 70°C
Ambient temperature:	-20°C up to 50°C

Electric specifications

Supply voltage: 24V (19-30 VDC)

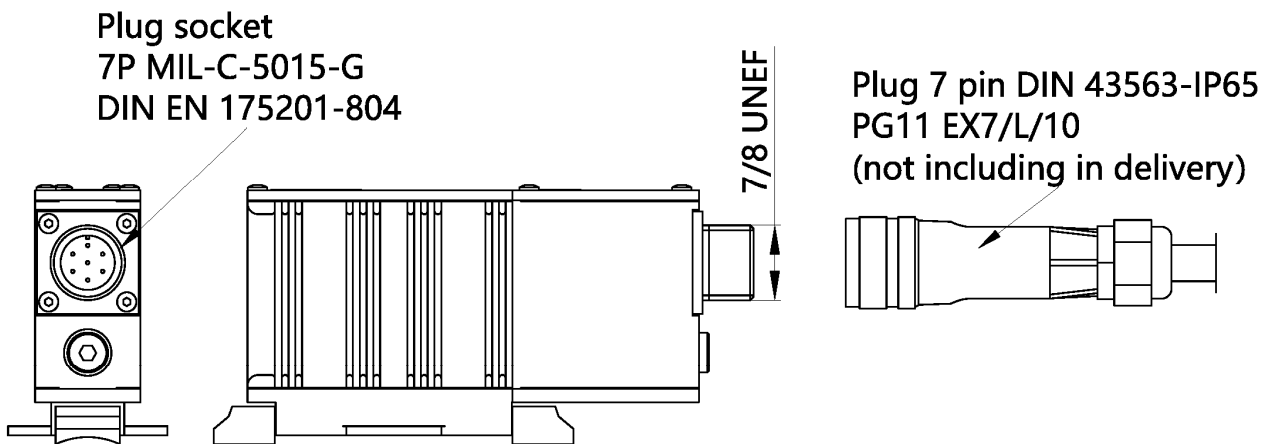
Max supply current: 3A

Electrical protection class: IP65 according to DIN40050

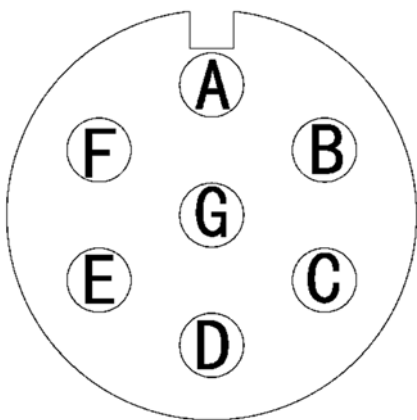
Duty cycle: 100%

Command signals: 0-10V
±10V
4-20mA

Amplifier OBE

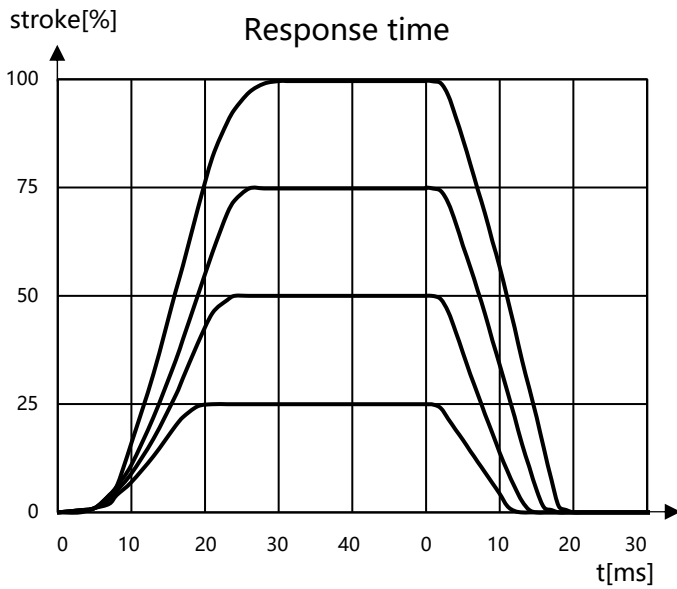
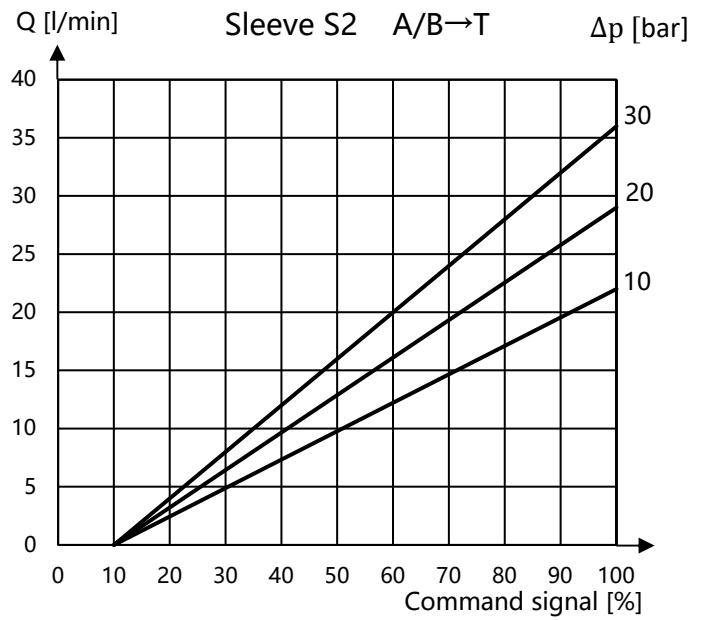
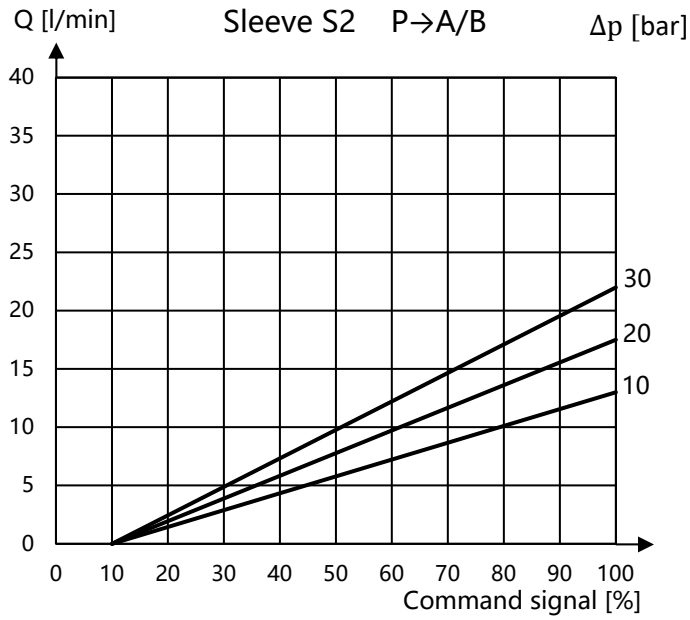
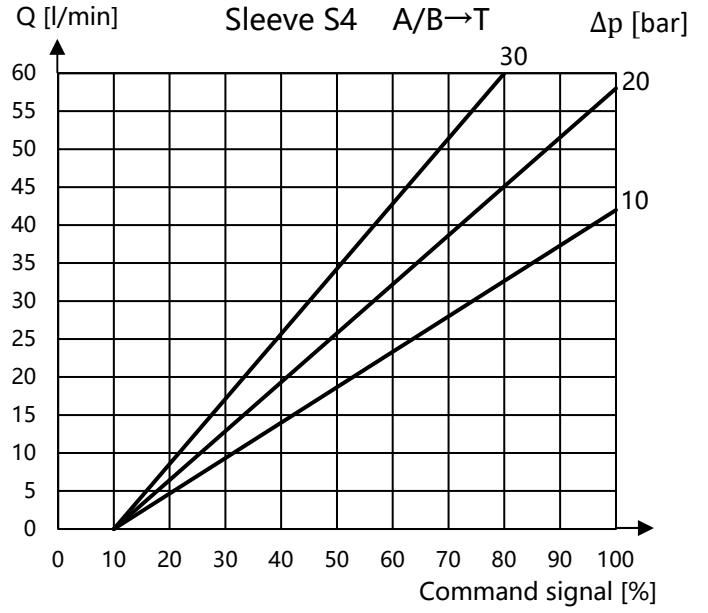
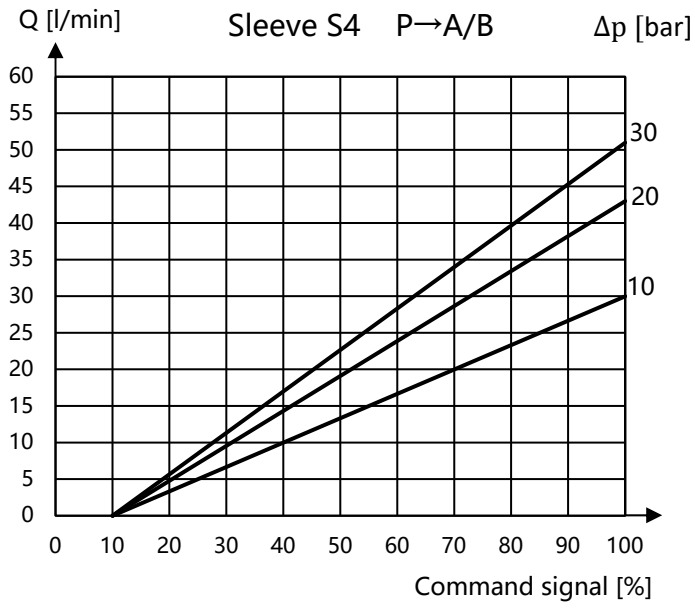


Plug pins



Pin	Command signal
A	Supply 24V (19-30 VDC)
B	Supply -
C	Enable
D	0-10V ±10V 4-20mA
E	Zero-point reference
F	Ready
G	Ground

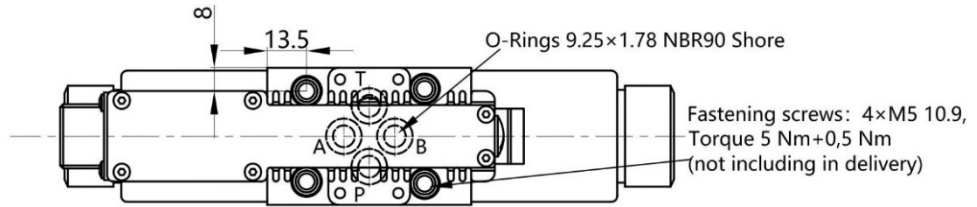
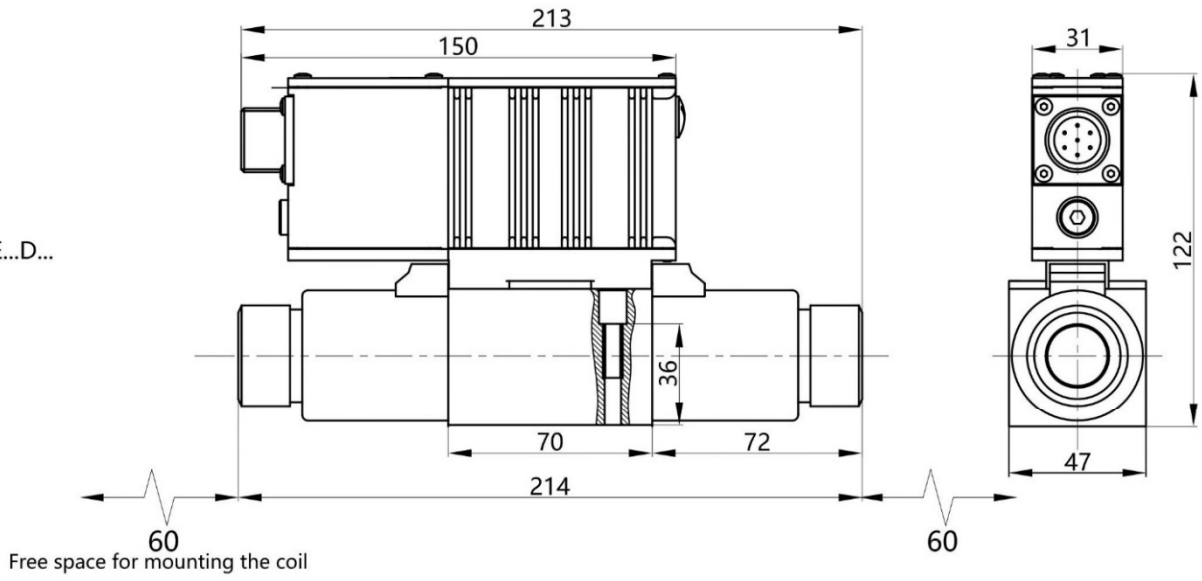
Performance



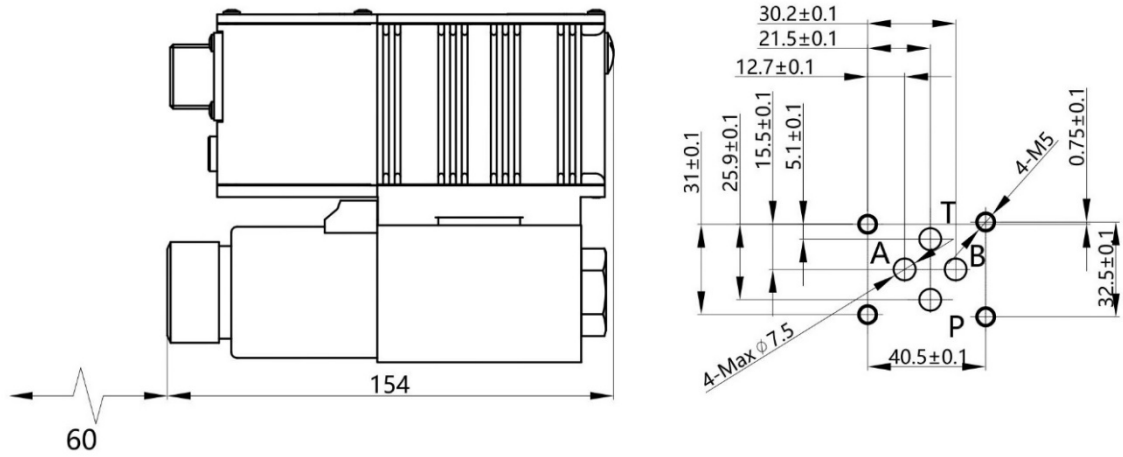
Dimensions

All dimensions in mm.

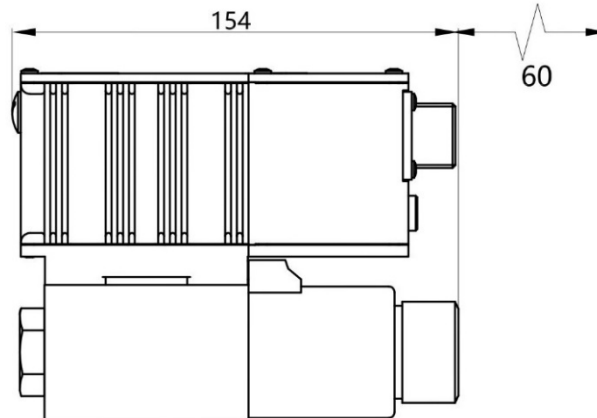
PHS06E...D...



PHS06E...A...



PHS06E...B...



Type code

PHS 06 E 1 D 02 S2-0 N 10

Model

Proportional directional valve
High flow linearity
Solenoid actuation

Port size

06 accordingly ISO4401-03-02-0-05

Amplifier

OBE (integrated)

Command signal

1 = 0-10V
2 = $\pm 10V$
3 = 4-20mA

Solenoid actuation

A = 4/2 valve solenoid at A side
B = 4/2 valve solenoid at B side
D = 4/3 valve solenoid at both sides

Switching symbol

02, 33 (See page 1)

Nominal flow

S2-0 = 13 L/min (flow with Δp 10 bar)
S4-0 = 30 L/min (flow with Δp 10 bar)

Seal material

N = NBR
V = FKM (Viton)

Solenoid voltage and connector

10 = 12VDC with OBE plug

Note

The technical information in this data sheet refers to the specified operating conditions and applications. For deviating applications and/or operating conditions, please contact us. The technical information is subject to change without notice.